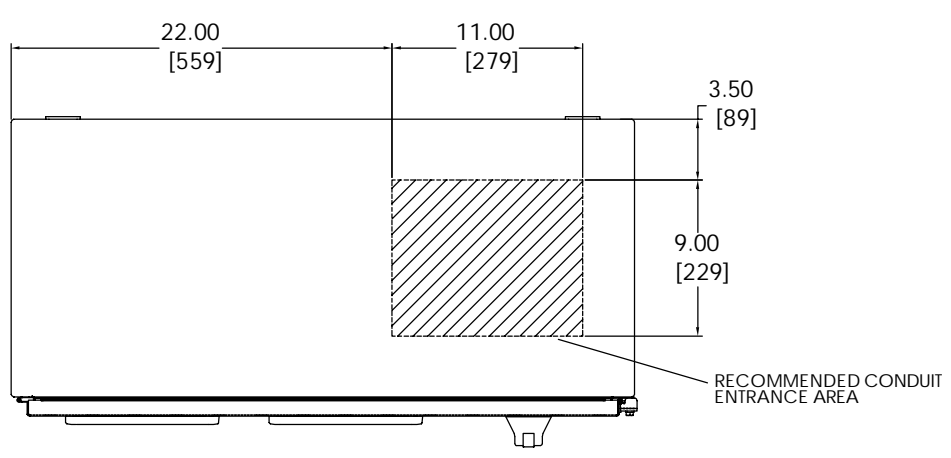
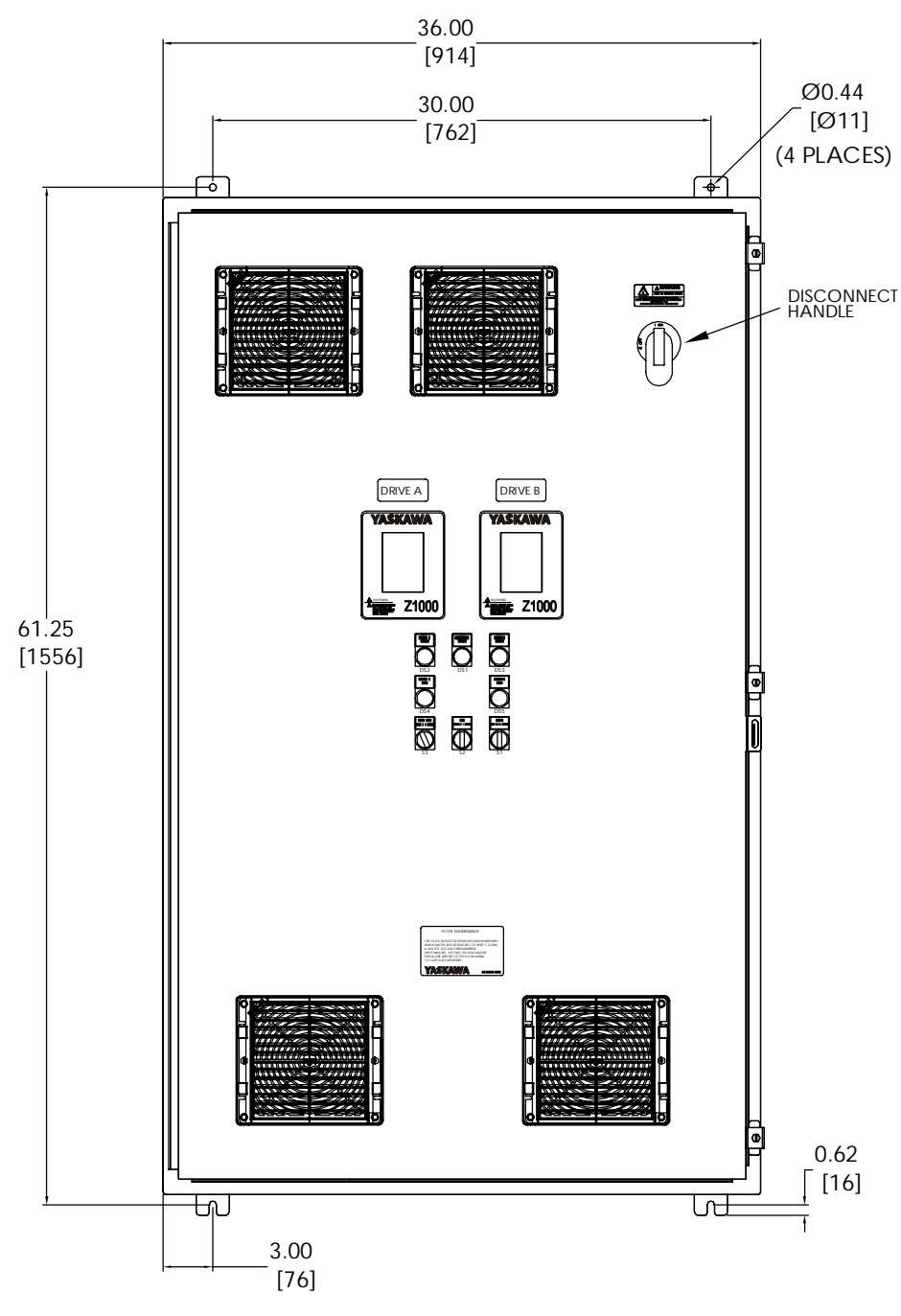


TOP VIEW

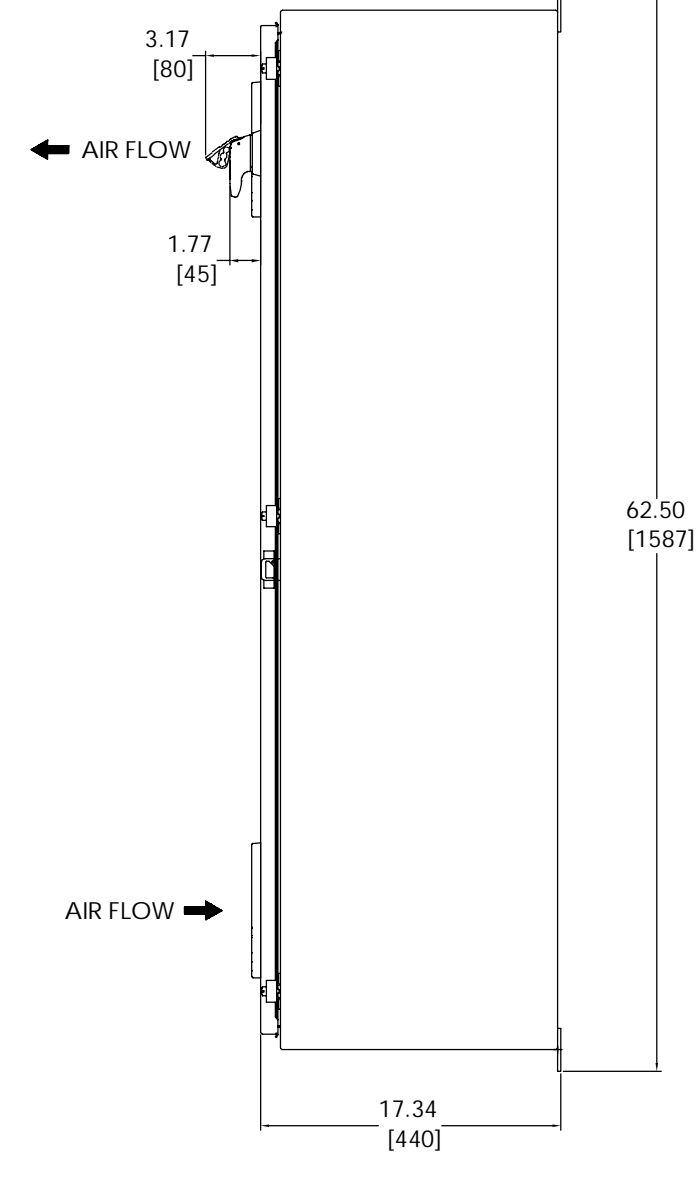


RECOMMENDED CONDUIT ENTRANCE AREA

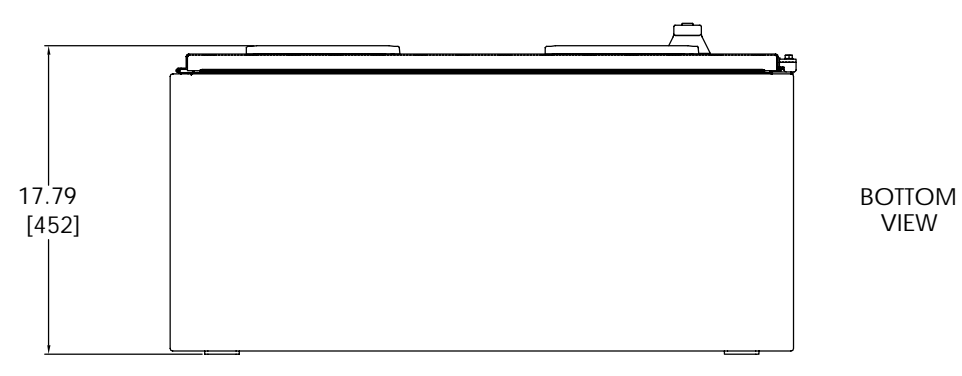


DISCONNECT HANDLE

51.00 [1295]
DOOR OPEN 90°



RIGHT SIDE VIEW



BOTTOM VIEW

NOTES:

- A. FOR REFERENCE ONLY UNLESS PROPERLY ENDORSED. FOR ADDITIONAL DETAILS AND SPECIFICATIONS, CONSULT WITH FACTORY.
- B. DIMENSIONS ARE IN INCHES [MILLIMETERS].
- C. ALL DIMENSIONS ARE PER LARGEST AVAILABLE OPTIONS.
- D. FANS, FILTERS, AND/OR CLOSING PLATES ARE SUPPLIED WHEN OPTION MIX NECESSITATES.
- E. USE APPROPRIATE TYPE RATED HUBS AND/OR FITTINGS TO MAINTAIN ENCLOSURE RATING.

YASKAWA		DRAWN BY:	A.MEILAHN	DATE:	07/17/15	TITLE: DIMENSION DRAWING Z1000 BYPASS REDUNDANT DRIVE, TYPE 1		
		CHECKED:	D.TUMILSON	DATE:	07/17/15			
THIS DOCUMENT AND INFORMATION CONTAINED IN IT ARE CONFIDENTIAL, AND CANNOT BE COPIED OR DISCLOSED IN WHOLE OR IN PART WITHOUT THE EXPRESS WRITTEN CONSENT OF YASKAWA AMERICA INC.		TECH:		DATE:		SIZE:	REVISION:	PAGE:
		APPROVED:	A.MEILAHN	DATE:	07/17/15	C	R00	1 of 1
		ORIGINAL DESIGN:	A.MEILAHN	DATE:	07/17/15	DRAWING #: DD.Z1R1.W2.01		